



Retrofit Processor Kits

The C21 Dimming processor system represents premium performance and high value for all levels of users. Designed to interface directly with Strand Lighting's ShowNet Ethernet, C21 processors include an Ethernet port. An available Ethernet switch option may be added to any processor to simplify network wiring for multiple rack installations.

Two DMX512 inputs are standard with the second input available for use as an RS485 input to support existing Outlook or SWC systems or our new Vision.net architectural controls.

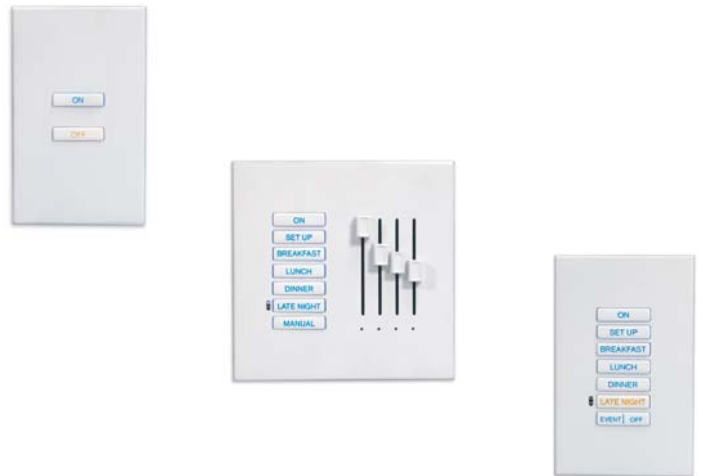
All systems are easy to set up and configure over a network using a standard web browser to access rack status and configuration options.

Features

- Retrofit kits provide full technology upgrades for your current CD80 series dimmer racks
- Available for CD80, CD80AE and CD80SV dimming systems
- Advanced dimming engine technology supports Ethernet Control Input
- Optional plug-in, 4-Port Ethernet Switch simplifies network installations
- Web Browser rack configuration
- C21 Processor Retrofit Kits support Outlook, System Wide Controls (SWC), or Vision.net architectural controls
- DMX512 input with patch for complete flexibility
- 99 back-up presets with 24 timed events
- ETL and cETL Marked



C21 Processor for CD80 Series Dimming Systems



C21 Processor Retrofit Kits support the complete range of Vision.net, or existing Outlook or System Wide Controls (SWC), architectural controls.

PHILIPS
Strand Lighting

SPECIFICATION SUBMITTAL

CONSULTANT: <input type="text"/>	PROJECT NAME: <input type="text"/>	MODEL NUMBER QUANTITY: <input type="text"/> <input type="text"/> <input type="text"/> <input type="text"/> <input type="text"/> <input type="text"/>
DATE: <input type="text"/>	PROJECT NUMBER: <input type="text"/>	APPROVED BY: <input type="text"/>

A retrofit solution for CD80 Series dimming systems.

The C21 Processor Retrofit Kit provides users a simple solution to upgrade their legacy CD80 series dimming systems to the latest dimming rack control platform from Strand Lighting. Easy to install, the C21 Retrofit Processor allows CD80 series dimming racks to interface to Strand Lighting's Vision.net stations without replacing rack or dimmers.

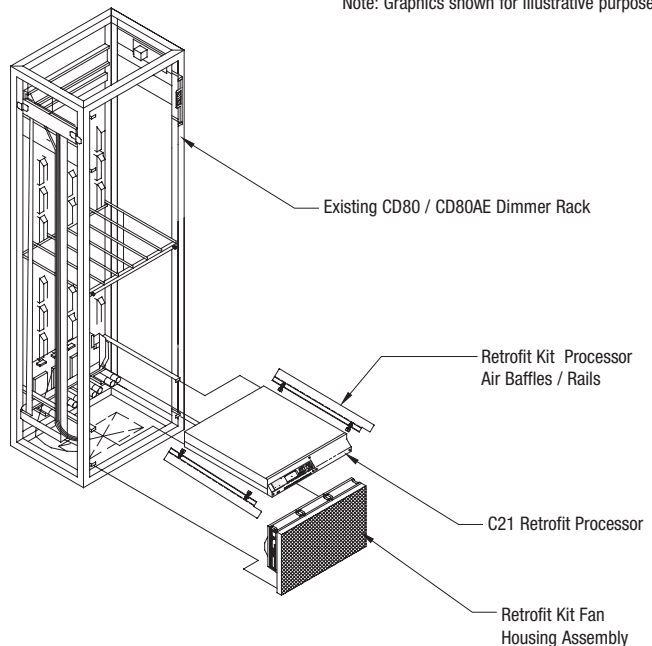
Once the retrofit kit is installed, the C21 processor is easily and quickly configured over Strand Lighting's ShowNet network using a standard web browser.



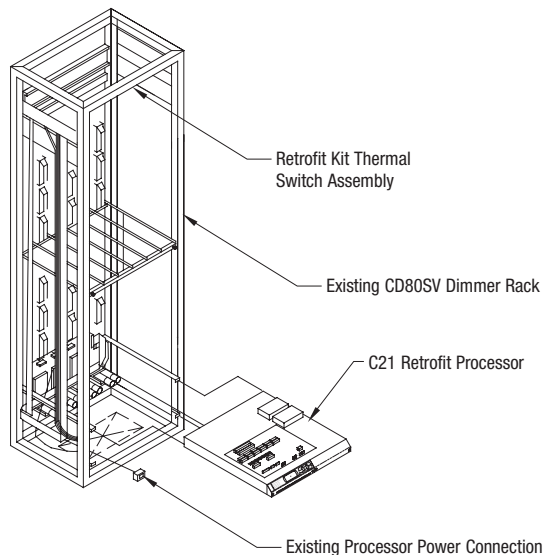
C21 Processor Configuration Sample Screen Shots

Existing CD80/CD80AE Dimming System

Note: Graphics shown for illustrative purposes only.



Existing CD80SV Dimming System



Ordering Information

Cat No. Description

- 76698-0001** C21 Retrofit Processor for CD80 SV Dimming Systems
- 76698-0004** C21 Retrofit Processor for CD80 and CD80 AE Dimming Systems



Philips Strand Lighting

Dallas
10911 Petal Street
Dallas, TX 75238
Tel: (214) 647-7880
Fax: (214) 647-8031

New York
267 5th Ave, 4th Floor
New York, NY 10016
Tel: (212) 213-8219
Fax: (212) 532-2593

www.strandlighting.com
© Philips Group 2011
All rights reserved.
The Company reserves the right to make any variation in design or construction to the equipment described. E&OE

Auckland
19-21 Kawana Street
Northcote, Auckland 0627
New Zealand
Tel: + 64 9 481 0100
Fax: + 64 9 481 0101

Asia
Room 6-10,
20/F Delta House
3 On Yiu Street
Shatin, N.T. Hong Kong
Tel: + 852-2757-3033
Fax: + 852-2757-1767

Europe
European Service & Distribution Centre
Marssteden 152
Enschede 7547 TD
the Netherlands
Tel: +31-53-4500424
Fax: +31-53-4500425